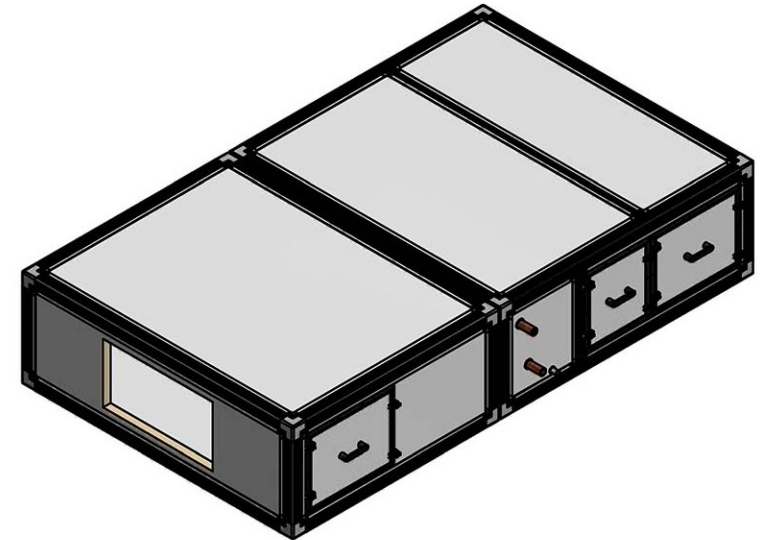
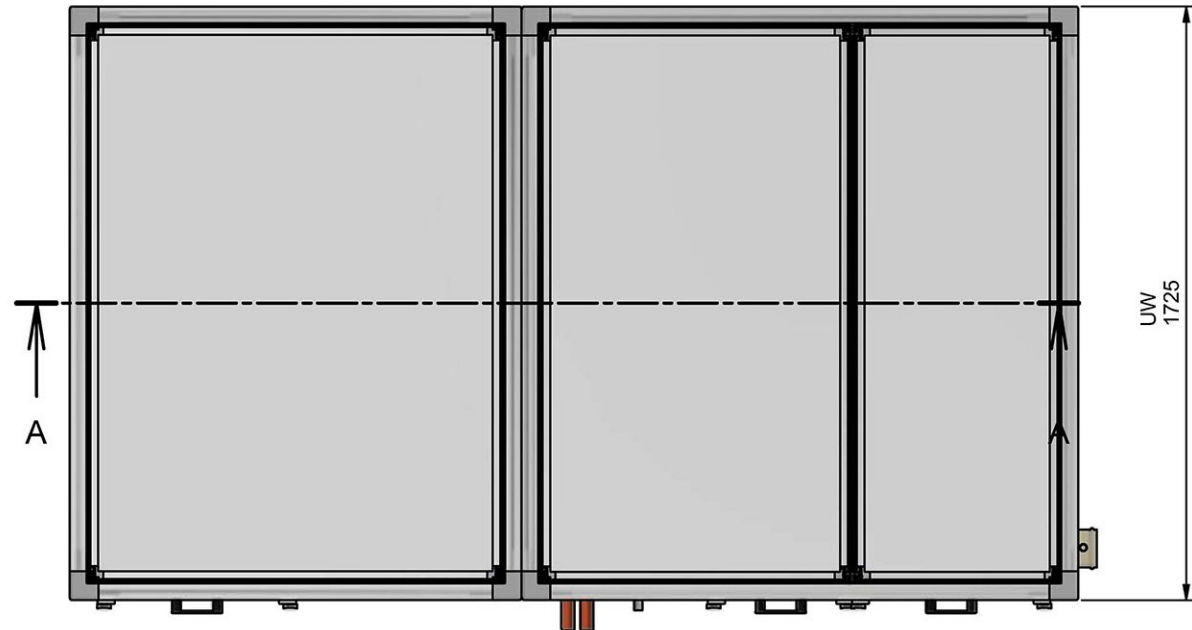
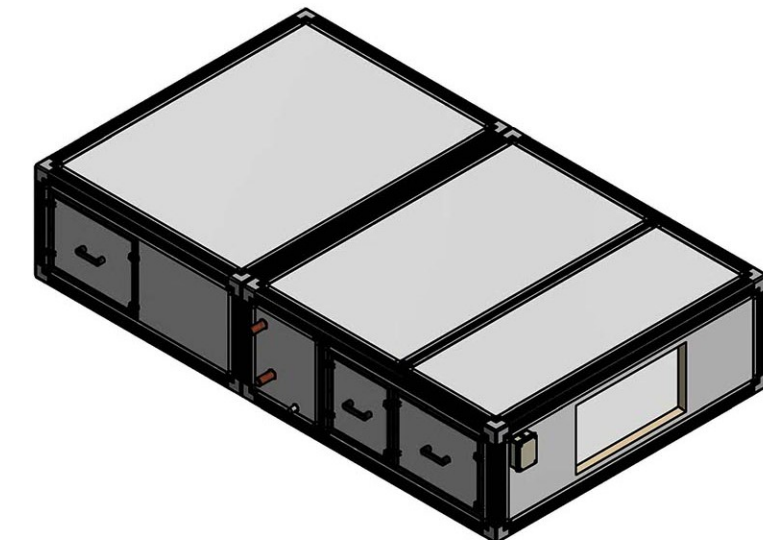


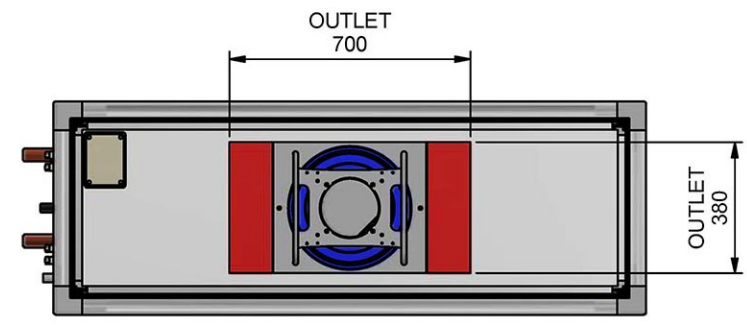
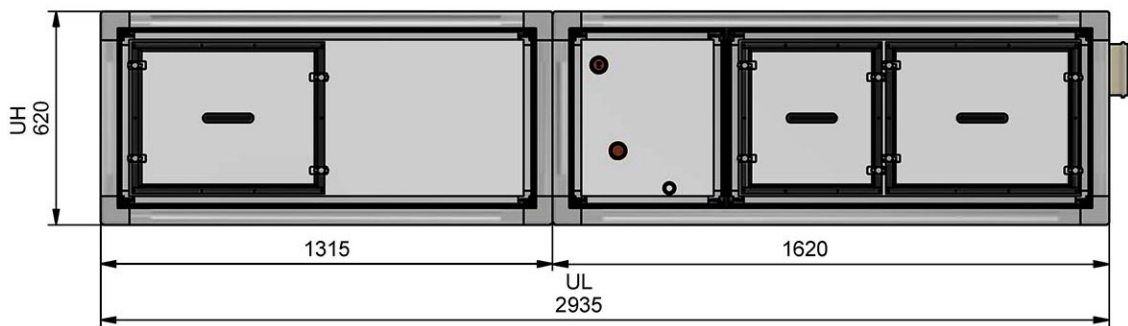
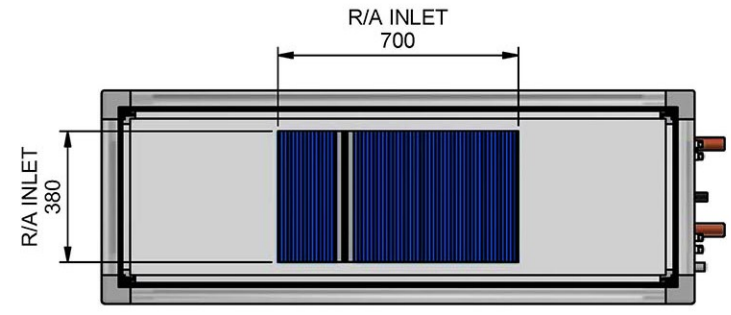
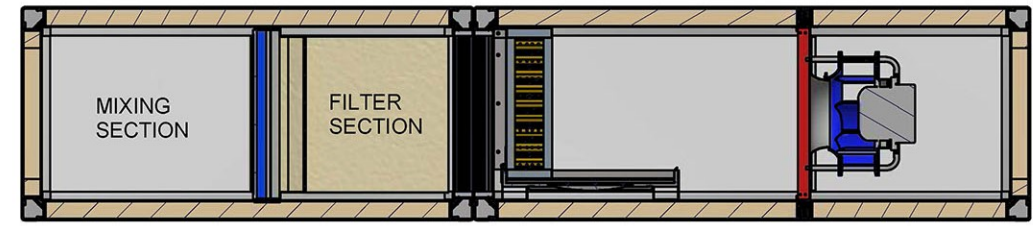
VIEW ISO 1 (1 : 34)




VIEW ISO 2 (1 : 34)



A-A (1 : 22)



MAX R/A INLET (HORIZONTAL) : 380X1485MM
 MAX O/A INLET (VERTICAL) : 480X1485MM
 MAX S/A (HORIZONTAL) : 380X1215MM
 MAX S/A (VERTICAL) : 480X1500MM

UNLESS OTHERWISE SPECIFIED
 DIMENSIONS ARE IN MILLIMETERS
 BREAK AND DEBUR ALL SHARP EDGES

 3rd ANGLE
 PROJECTION
 DO NOT SCALE DRAWING

Rev	By	Date	Description
/00	Toh	22/03/2017	Initial Released

Fantech Pty Ltd. © A.C.N. 005 434 024 45 NESTOR DRIVE, MEADOWBROOK, QUEENSLAND, AUSTRALIA. 4131 TELEPHONE: (07) 32 999 888 FACSIMILE: (07) 32 999 800					
DRAWN: Toh CHKD: Sean APPRD: JT	DATE: 22/3/2017 DATE: -- DATE: --	General Layout ME2B-L105/G3-FPL, GR31(115506)x1			
DRAWING NO: 868-8030-0105				REV: /00	SCALE: 1 : 22